

Neoline Unibend

Technical Specification

| Family Code | Lumen/W | Lumen/M | Wattage | Voltage | Colour T(K) | CRI | | IP Rating |
|--------------------------|---------|---------|---------|---------|-------------|-----|---|-----------|
| INLITE-NU-11616-67-93015 | | 645 | 15 | 24 | 3000 | 90 | 9 | 67 |

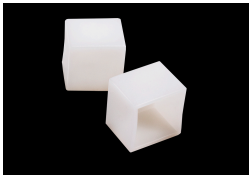

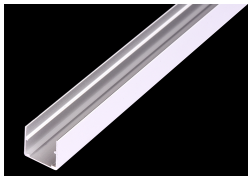


*Available in other colour temperatures MOQ 100m.

Features

| | |
|-------------------|---|
| IP Rating | IP 67 |
| IK Rating | IK 08 |
| SDCM | 3 step MacAdam (one bin only) |
| Lumen Maintenance | L80 > 50,000hrs |
| Max Length | 5m (power connection at one end) or 10m (two power connections either end) |
| Cut Size | 50mm |
| Notes | |

*Neoline is made to order - modifications on site will void the warranty.

Accessories

| | | | |
|--|---|--|---|
| Unibend End Cap INLITE-NU-11616-EC | Unibend End Cap with Hole INLITE-NU-11616-ECH | Unibend Alu Channel 2M INLITE-NU-11616-AC | Unibend Alu Bendable Channel INLITE-NU-11616-BC |
|  |  |  |  |
| Unibend Alu Fixing Clip INLITE-NU-11616-FC | Unibend 2-Core Cable 500mm INLITE-NU-11616-50-W | | W. 18.9mm X H. 17.5mm |
|  | | | |